



ACTYON

HYBRID

MENU

ACTYON

HYBRID

---

---



# ACT YOUNG

Introducing the all-new KGM Actyon Hybrid: a premium compact SUV coupe that redefines your driving experience with finesse, sophistication, and a bold new outlook. Celebrating KGM's 70th anniversary, Actyon Hybrid blends innovation and individuality with practicality and performance.

# INTRODUCTION



PRACTICAL CREATIVITY





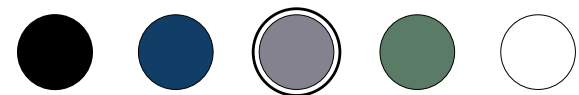
# MODELS

# K50

Super charged with specification. Luxurious exterior and interior packed with the latest technology and safety features.



Iron Silver



## Drivetrain

- Electric Motor Power: 176.8-PS
- Electric Motor Torque: 300-NM
- Engine Power: 149.6-PS
- Engine Torque: 220-NM
- Front wheel drive

## Exterior

- 20" alloy wheels
- Kick motion powered tailgate
- Privacy glass on rear doors, quarter and tailgate
- LED headlights including LED daytime running lights and LED indicators

## Interior & Connectivity

- Premium nappa leather seats with suede inserts
- Power adjustable heated and ventilated front seats
- Heated leather steering wheel
- Automatic dual-zone air conditioning
- 12.3" full digital instrument cluster
- 12.3" smart audio screen with rear-view camera, Bluetooth connectivity & navigation
- Apple CarPlay and Google Android Auto

## Safety

- 8-airbags
- Smart safety features including: Autonomous Emergency Braking, Safety Distance Alert, Lane Departure Warning, Front Vehicle Start Alert, Lane Keeping Assist, Speed Limit Warning

# COLOUR AND TRIM

Driving the Actyon Hybrid says something about you. Your choice of colour says something more. There's a range of sophisticated colours to match your personality.



Space Black

Dandy Blue

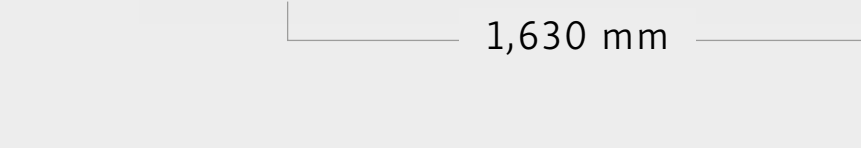
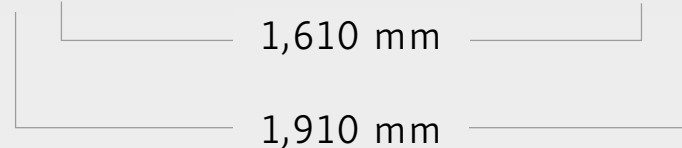
Iron Silver

Forest Green

Grand White

# DIMENSIONS

Every angle and detail designed with the best driving experience in mind. Whether parked kerbside, on the driveway or in the garage, our size guide will help you plan for work, rest, and play.





# DRIVETRAIN

# DUAL-TECH HYBRID FOR QUIET, EFFICIENT DRIVING

By integrating dual motors with an efficient e-DHT, hybrid system achieves up to 94% electric-mode driving in city environments — combining near-silent operation with remarkable fuel efficiency.

## Dual-Tech Hybrid System

KGM's high-efficiency hybrid combines a dedicated HEV engine with a powerful dual-motor e-DHT for smooth performance and excellent fuel economy.

Up to in urban driving

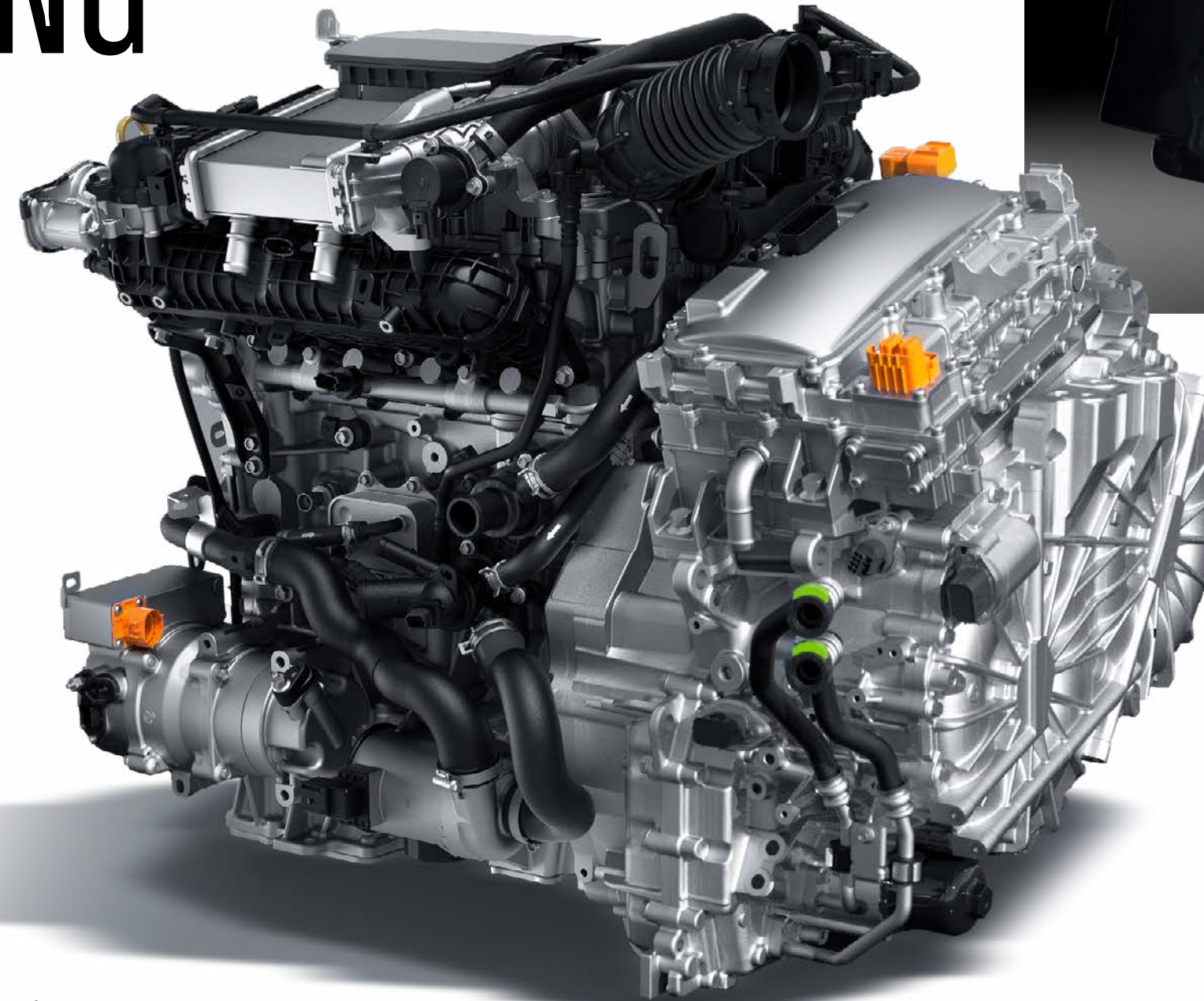
**94%**

in EV mode

Up to

**46.4**

MPG Combined WLTP



## Smart Frequency Damper

The Smart Frequency Damper enhances ride stability and comfort by intelligently absorbing road vibrations.

## 9 Hybrid Driving Modes

The dual-motor e-DHT system enables a total of nine versatile hybrid driving modes, including EV mode, HEV mode, and engine drive mode.



## Aisin 3<sup>rd</sup> generation automatic transmission

Fitted to some of the best cars in the world, the tested and proven Aisin 6-speed automatic offers smooth, quiet gear changes with maximum fuel efficiency.



# POWERED BY TOUGHNESS

Actyon Hybrid sets a new benchmark for urban SUVs with its dynamic and stylish coupe characteristics, perfectly suited to modern life. Rooted in KGM's design philosophy, 'Powered by Toughness,' Actyon Hybrid's exterior exudes strength and elegance in equal measure, making it a bold and confident choice for the city driver.



### Bonnet detailing

The bonnet detailing, reminiscent of a handle, serves as an homage to the era of traditional SUVs.



### Headlamps & Korean flag-inspired grille

The high-gloss headlamps and Korean flag-inspired intake grille further emphasise the Actyon Hybrid's bold stance.

### Alloy wheels

The large 20-inch diamond-cut alloy wheels feature a sleek and dynamic geometric design for a truly sporty look.



### Korean flag-inspired DRLs

The Korean flag motif is applied to the daytime running lights as an expression of KGM's unique identity.

## EXTERIOR DESIGN

# FEATURES

Shapes and motifs inspired by the Korean flag convey a powerful image and showcase KGM's compelling and unique identity. They also accentuate the Actyon Hybrid's bold body stance and overall strong voluminous feel.



Horizontal positioning lamps

# MAKE A SPLASH



Korean flag-inspired rear combination lamps



Black roof rails

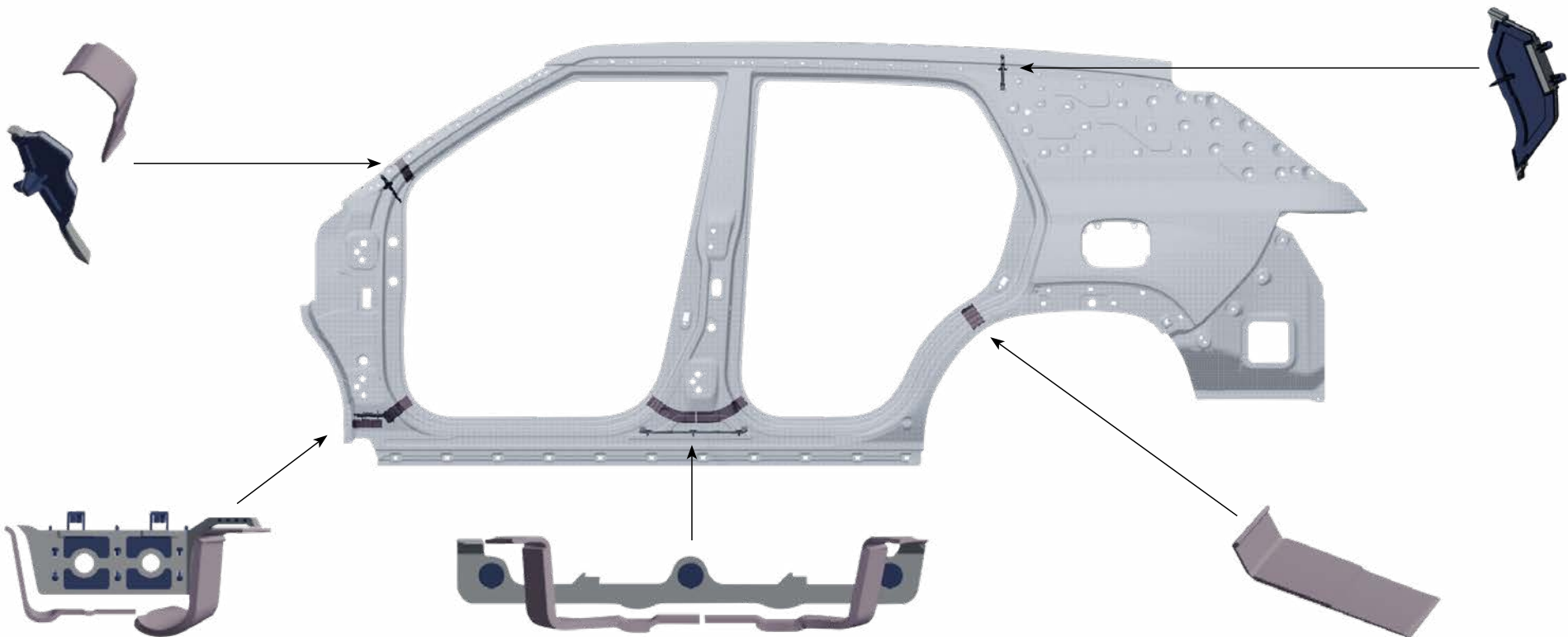
# A SPORTY YET QUIET DRIVE

Get away from the urban noises and immerse yourself in a serene environment where you can truly focus on the road and your journey.

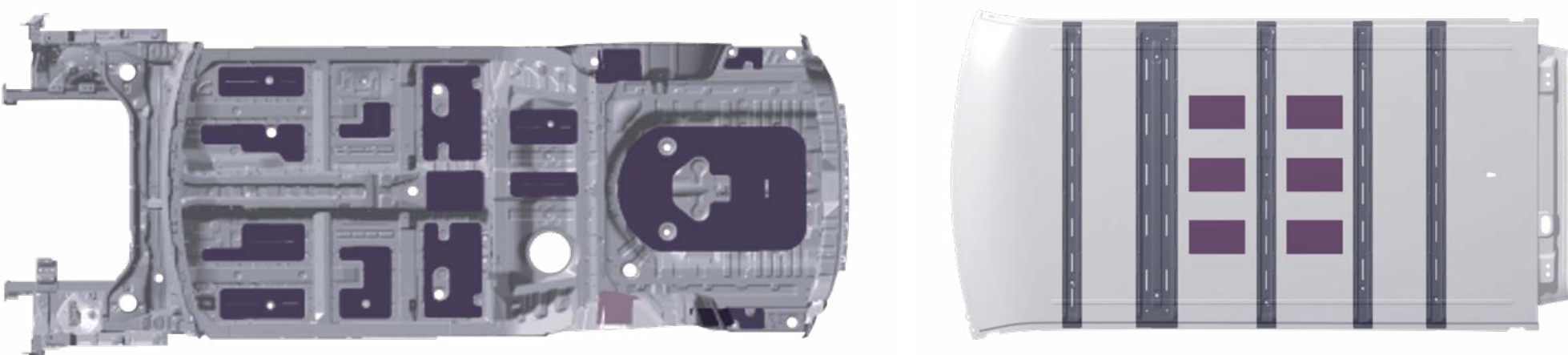


**Laminated Front Door Glass with Solar Control**  
 Laminated solar control soundproof glass is applied to the front door windows to effectively block external and road noise.

**Noise-cancelling Michelin tyres**  
 Reduce road noise and tyre resonance by 50%, which is a 10 dB decrease in perceived noise.



**Pillar pads**  
 Maximised application of sound absorbing foam material to the internal channels of the A, B & C pillars minimises wind noise and improves interior quietness by preventing the ingress of external noise and minimising noise resonance.



**Underfloor damping and seat/roof panel sound absorbing materials**  
 A damping sheet is applied to the underfloor to reduce road and interior noise while sound-absorbing material is applied to the roof panel to mitigate the noise from wind and rain.



# INTERIOR & CONNECTIVITY

# DRIVER-CENTRIC COMFORT AND CONTROL

Step inside the KGM Actyon Hybrid and experience a cockpit designed for the driver, blending cutting-edge technology with an ergonomic layout. The intuitive dashboard provides easy access to tech features like a high-definition touchscreen, smartphone integration, and navigation. Premium materials and adjustable seating ensure a comfortable drive with everything at your fingertips.



12.3" full colour LCD cluster



Leather steering wheel



Automatic dual-zone air conditioning



Floating centre console

## INTERIOR & CONNECTIVITY

# THOUGHTFUL TOUCHES

Enjoy a range of advanced features designed to make every drive more enjoyable. Every detail has been crafted to enhance your comfort and ease on the road.



Overhead console with touch-controlled LED cabin lamps



Door map pockets



Heated steering wheel



12V power socket. Front and rear USB



Glowing crystal gear switch



Electric parking brake



Customisable ambient lighting

## INTERIOR & CONNECTIVITY



**BEAUTIFUL OUTSIDE AND IN**



## HAVE IT YOUR WAY

Experience a thoughtfully crafted interior that prioritises convenience, comfort, and relaxation. With adjustable seating positions and intuitive features, the KGM Actyon Hybrid interior allows you to personalise your space to match your unique style and needs. Every detail has been designed to ensure a balanced driving experience where you feel safe, secure, and fully at ease on every journey.

# STRETCH YOUR LEGS

Experience luxury and comfort with refined interior seating. Crafted with premium quilted leather, each seat offers exceptional support to enhance every journey. Surrounded by high-quality materials and tasteful accents in the cabin is designed to elevate your drive.

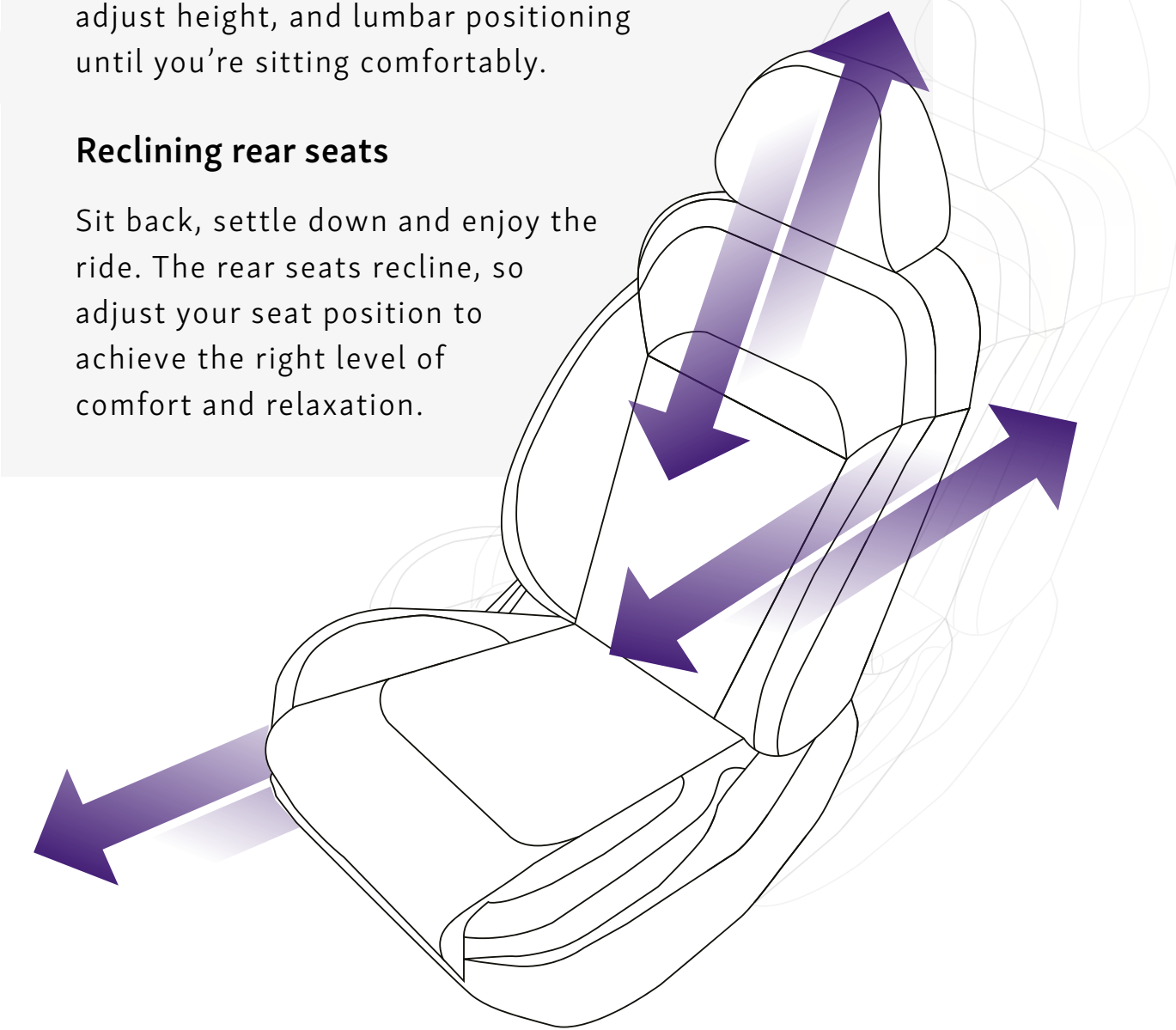


### Power seats with lumbar support

Find your perfect position. Electrically adjust height, and lumbar positioning until you're sitting comfortably.

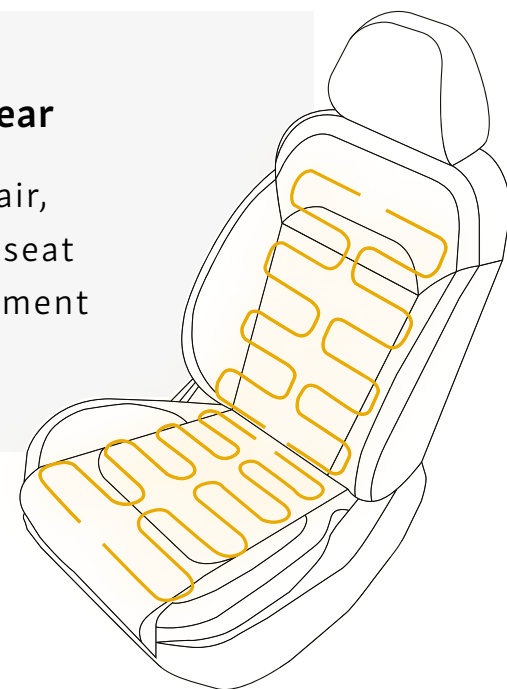
### Reclining rear seats

Sit back, settle down and enjoy the ride. The rear seats recline, so adjust your seat position to achieve the right level of comfort and relaxation.



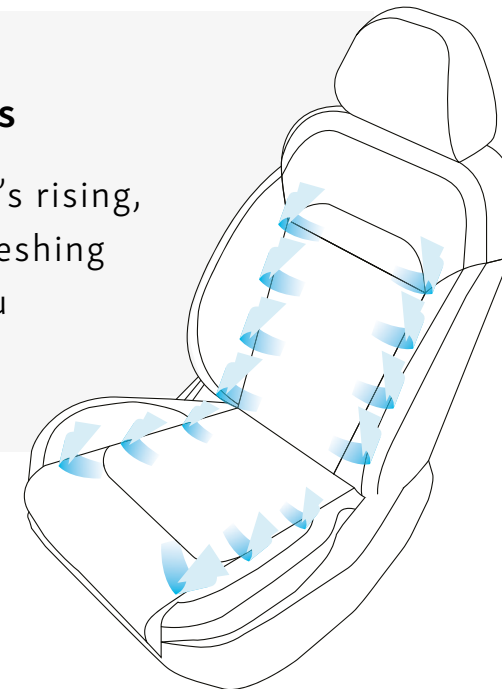
### Heated seats, front and rear

When there's a chill in the air, a warm, welcoming heated seat creates the perfect environment for you to enjoy the ride.



### Ventilated front seats

When the temperature's rising, a gentle stream of refreshing chilled air will help you keep your cool.



# ACTIVE SPACE FOR ACTIVE LIVES

The KGM Actyon Hybrid offers exceptional versatility with its spacious boot, designed to adapt seamlessly to your lifestyle. With an impressive 668 litres of storage capacity, there's room for everything you need— from daily essentials to weekend adventure gear. For even greater space, fold down the rear seats to unlock a generous 1,440 litres, effortlessly accommodating larger items. Whatever your journey, the Actyon Hybrid's flexible cargo area ensures you're always ready for what's next.



2nd row fully folded



2nd row unfolded



Internal tailgate opening button



2nd row 40% folded



2nd row 60% folded





**78%**

**High-Tensile Steel**

The rigidity, integrity and safety of the bodyshell have been strengthened by using high-tensile steel in 78% of its construction while also utilising Hot Press Forming.

# BUILT FOR SAFETY

The Actyon Hybrid sets a new standard in safety without compromise. With 8 strategically placed airbags and extensive use of high-tensile steel, it ensures top-tier protection for both driver and passengers. Additionally, each of the five seats is equipped with a seatbelt reminder, making safety a priority from the moment the engine starts.

**8**

## AIRBAGS

Actyon Hybrid has 8-airbags for the greatest possible protection in the event of a sudden stop.

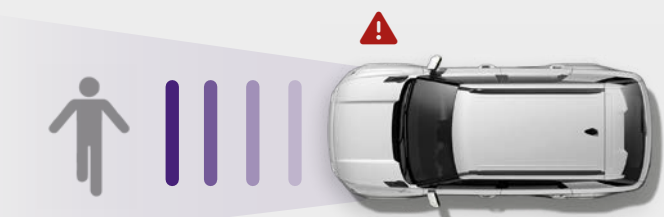


- 1** Driver's airbag
- 2** Driver's knee airbag
- 3** Passenger's airbag
- 4/5** Curtain airbags
- 6/7** Driver's & passenger's side airbags
- 8** Seat centre airbag

# ADVANCED DRIVING ASSISTANCE SYSTEM

## Brake Assistance System (BAS)

Applies maximum brake force when panic or sudden braking by the driver is detected, significantly reducing braking distance in emergency situations



## Lane Departure Warning (LDW)

Notifies the driver when the forward camera module detects an unintended lane departure by the vehicle.



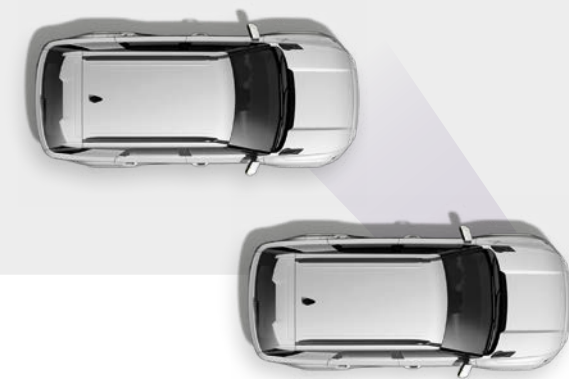
## Smart High Beam (SHB)

Automatically lowers the high beams when an approaching vehicle is detected, making night-driving easier.



## Front Vehicle Start Alert (FVSA)

Attracts driver's attention with a visual pop-up alert and audible sound when the vehicle directly in front is pulling away.



## Blind Spot-Detection (BSD)

Detects vehicles rapidly approaching from behind and flashes a warning light on the outside mirror, to alert the driver.



## Lane Keeping Assist (LKA)

LKA uses a front camera to monitor the painted lane markers. On detecting an attempt to change lane without prior signalling, it automatically corrects the electric power steering to keep the vehicle within the intended lane.



## Safety Distance Alert (SDA)

Detects the distance to the vehicle ahead and warns the driver when a safe distance is not properly maintained.



## Driver Attention Alert (DAA)

If the DAA system senses the driver's attention level has been significantly reduced, it will give an audible warning and display a graphic on instrument cluster.



# FEATURES

# FEATURES

# FEATURES

Discover a level of enjoyment beyond what's available in a typical SUV.



**Kick motion powered tailgate**



**Bonnet detailing**



**Side moulding**



**Auto-closing function**



**High mounted central LED stop light**



**HD rearview camera**



**Automatic headlamps with high beam assist**



**Metallic-look rear skid plate**



**Luggage cover**



**Shark fin antenna**



# EQUIPMENT & DATA

# STANDARD EQUIPMENT

<b>Exterior</b>	<b>K50</b>
Black roof rails	✓
LED multi-focus reflector headlamps	✓
LED front and rear light clusters	✓
Automatic headlamps with high beam assist	✓
Front and rear parking sensors	✓
Body coloured exterior door handles	✓
Shark fin antenna	✓
<b>Convenience</b>	
12.3" full colour LCD cluster	✓
Remote keyless entry	✓
Dual smart keys with start button	✓
Automatic door locking system	✓
Electric windows (front & rear)	✓
Automatic headlamps with high beam assist	✓
Rain sensing wipers	✓
Height & reach adjustable steering wheel	✓
Electronic cruise control & speed limiter	✓
Intelligent Adaptive Cruise Control (IACC)	✓
Electrically operated & auto folding heated door mirrors	✓
Electrochromic interior rearview mirror	✓
60/40 split rear seats	✓
Luggage cover	✓
Luggage board	✓

<b>Convenience</b>	<b>K50</b>
Contour floor mats	✓
Kick motion power tailgate	✓
Electronic Parking Brake with Auto Hold	✓
Rear-view camera	✓
360° Around View Monitoring system	✓
Rear folding centre armrest with cup holders	✓
Gas driven bonnet struts	✓
Illuminated sun visor with sliding extension	✓
Glovebox with illumination	✓
PVC door scuffs	✓
Front door courtesy lamp	✓
<b>Climate and heating</b>	
Dual-zone automatic climate control	✓
Rear air vent on centre console	✓

# STANDARD EQUIPMENT

In car entertainment	K50
12.3" entertainment system	✓
TomTom navigation software	✓
Apple CarPlay & Google Android Auto	✓
Bluetooth hands free	✓
USB charging - front & rear	✓
6 speakers	✓
Remote control audio switches on steering wheel	✓
Comfort	
Black leather & suede interior	✓
8-way power-adjustable front seats	✓
Front seat warmers	✓
Rear seat heating	✓
Front seat ventilation	✓
Heated leather steering wheel	✓
Leather covered hex-cut steering wheel	✓
Tinted windows	✓
Privacy glass: rear door, quarter & tailgate	✓
Adjustable Front Centre armrest	✓

Safety and security	K50
Dual airbags for driver and passenger	✓
Front seat side airbags	✓
Curtain airbags front and rear	✓
Airbag On / Off switch for front passenger	✓
Child seat anchorage for rear seats	✓
Seat belts reminder warning for front and rear	✓
Autonomous Emergency Braking	✓
Lane Departure Warning	✓
Lane Keeping Assist	✓
Front Vehicle Start Alert	✓
Driver Attention Alert	✓
Safety Distance Alert	✓
Rear Blind Spot-detection	✓
Lane Change-Collision Warning	✓
Rear Cross Traffic Warning	✓
Tyre inflation kit	✓
Emergency Call System	✓
Alarm & immobiliser	✓
Wheels & tyres	
20" Diamond cut alloy wheels	✓

# TECHNICAL DATA

Engine and Drivetrain	K50
Drivetrain	Automatic Front Wheel Drive
Engine capacity (cc)	1497
Fuel	Petrol
Engine configuration	4 cylinders in-line
Bore x stroke (mm)	76 x 82.5
Compression ratio	9.5:1
Transmission Detail	Aisin 6 speed automatic
Exhaust system	Catalyst
Performance	
Electric Motor Power (kW)	130
Electric Motor Power (PS)	176.8
Electric Motor Torque (Nm)	300
Electric Motor Torque (lbs.ft)	221.3
Engine Power (kW/rpm)	110/5500
Engine Power (PS/rpm)	149.6/5500
Engine Torque (Nm/rpm)	220/2400-4200
Engine Torque (lbs.ft/rom)	162/2400-4200
Top speed (mph)	109

Fuel consumption	
WLTP - MPG - Low	46.6
WLTP - MPG - Medium	63.9
WLTP - MPG - High	52.9
WLTP - MPG - Extra High	36.6
WLTP - MPG - Comb	46.4
Emissions	
Standard Euro Emissions	Euro 6e
WLTP - CO2 (g/km) - Comb	138
WLTP - CO2 (g/km) - Extra High	174.89
WLTP - CO2 (g/km) - High	120.94
WLTP - CO2 (g/km) - Low	137.36
WLTP - CO2 (g/km) - Medium	100.09

# TECHNICAL DATA

<b>Vehicle dimensions</b>	<b>K50</b>
Length (mm)	4740
Wheelbase (mm)	2680
Width including mirrors (mm)	1910
Track: front/rear (mm)	1610/1630
Height including roof rails (mm)	1680
Approach angle (deg)	17.6
Departure angle (deg)	21.4
<b>Weight and capacities</b>	
Gross vehicle weight (kg)	2290
Kerb weight (kg)	1725
Luggage space (litres) rear seat fully up	668
Luggage space (litres) rear seat fully down	1568
Max unbraked trailer load (kg)	500
Max braked trailer load* (kg)	1300
Towbar max load (kg)	52
Fuel tank capacity (litres)	50
No. of Seats	5
Turning Circle - Kerb to Kerb (metres)	10.86

<b>General</b>	
Man Corrosion Perforation Guarantee - Years	6
Manufacturers Paintwork Guarantee - Years	3
Service Interval Frequency - Months	12
Service Interval Mileage	6,000*
Standard manufacturers warranty - Mileage	100,000 miles
Standard manufacturers warranty - Years	5 years
Insurance group	23A

\*6,000 miles for first, then every 10,000 miles thereafter



# 3-YEAR SERVICE PLANS

A KGM service plan will help maintain the warranty, prolong vehicle life, sustain vehicle performance and aid trouble-free motoring - giving peace of mind at a manageable monthly cost.

A KGM service plan covers new vehicles from registration\*\* and covers the following;

- ✓ The vehicle's first 3-services
- ✓ The vehicle's first M.O.T
- ✓ 2-years extended RAC roadside recovery

**£35.00\***  
PER MONTH

\* Service plan payments for a term of 34-months.

\*\* Service plans are also available on used vehicles however pricing will vary, please contact your local dealer for a quote.





# CUSTOMER SERVICES

We care passionately about delivering outstanding customer service. Attention to detail is important, so any question you ask, we'll do our very best to answer it.

0333 444 1954

[customerservices@kgm-motors.co.uk](mailto:customerservices@kgm-motors.co.uk)

# KGM ASSISTANCE

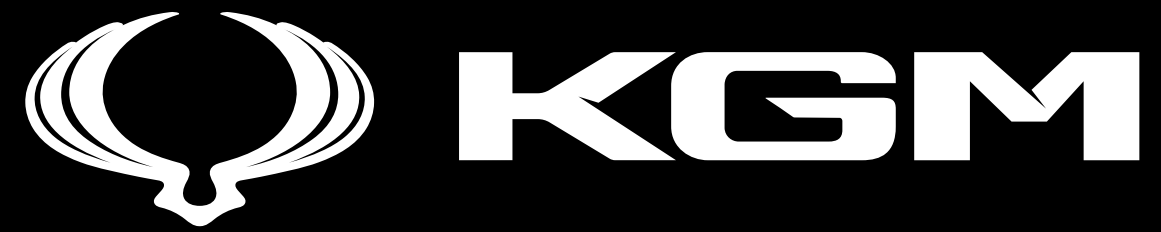
All KGM new vehicles come with 12-months Roadside Assistance, providing you with the best level of customer care both in the UK and on Mainland Europe.





## 5-YEAR WARRANTY

It's reassuring to know that the Actyon Hybrid comes with a 5-year / 100,000-mile warranty. It's a Korean thing. When we promise something, we stick to it. If something goes wrong and it's definitely our fault, we fix it. Our customers like it, and they tell other people about it. So everybody's happy.



[kgm-motors.co.uk](http://kgm-motors.co.uk)

0333 444 1954

The information in this brochure is not binding and is subject to alteration. KGM reserves the right to change specifications at any time without notice. The colour and finishes reproduced in this brochure are subject to the limitations of the printing process and may vary from the actual colour and paint finish. This brochure does not constitute an offer of sale of any particular vehicle or specification. Please confirm exact specifications, prices and colour availability with your KGM dealer or check the KGM website. Warranty covers 5-years / 100,000-miles for Internal Combustion Engines Vehicles, or 7-years / 90,000-miles for Battery Electric Vehicles.